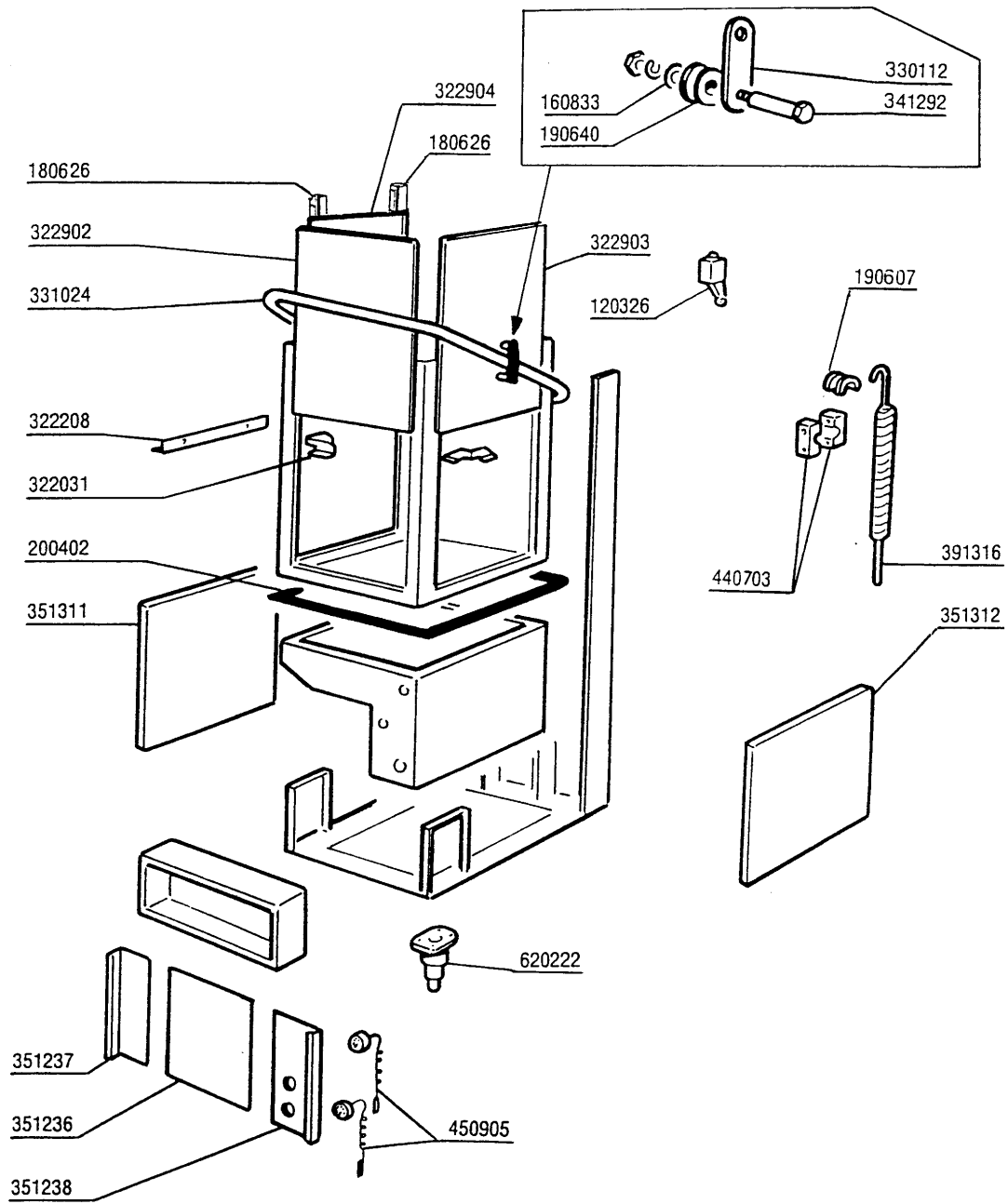
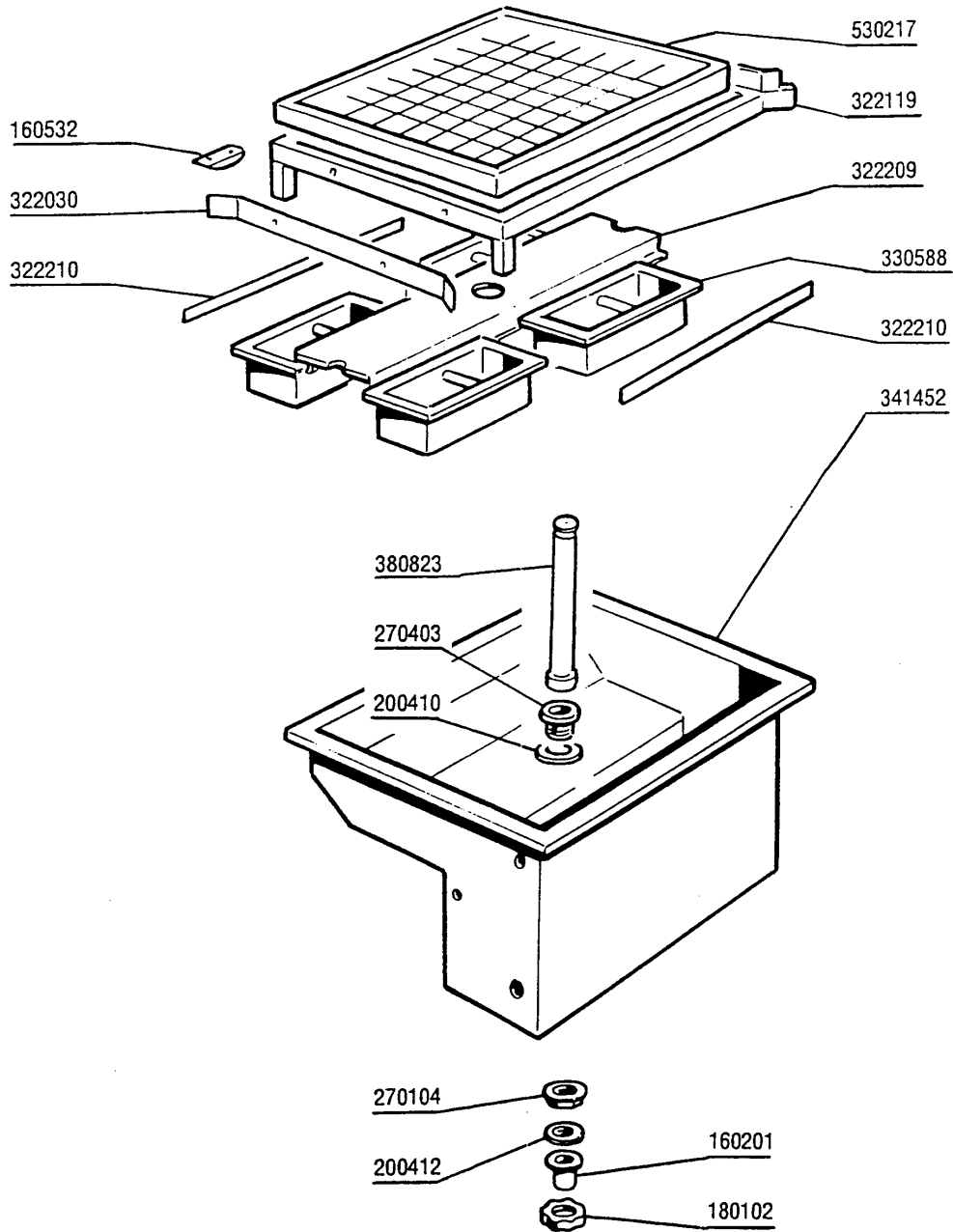


2 - Hood



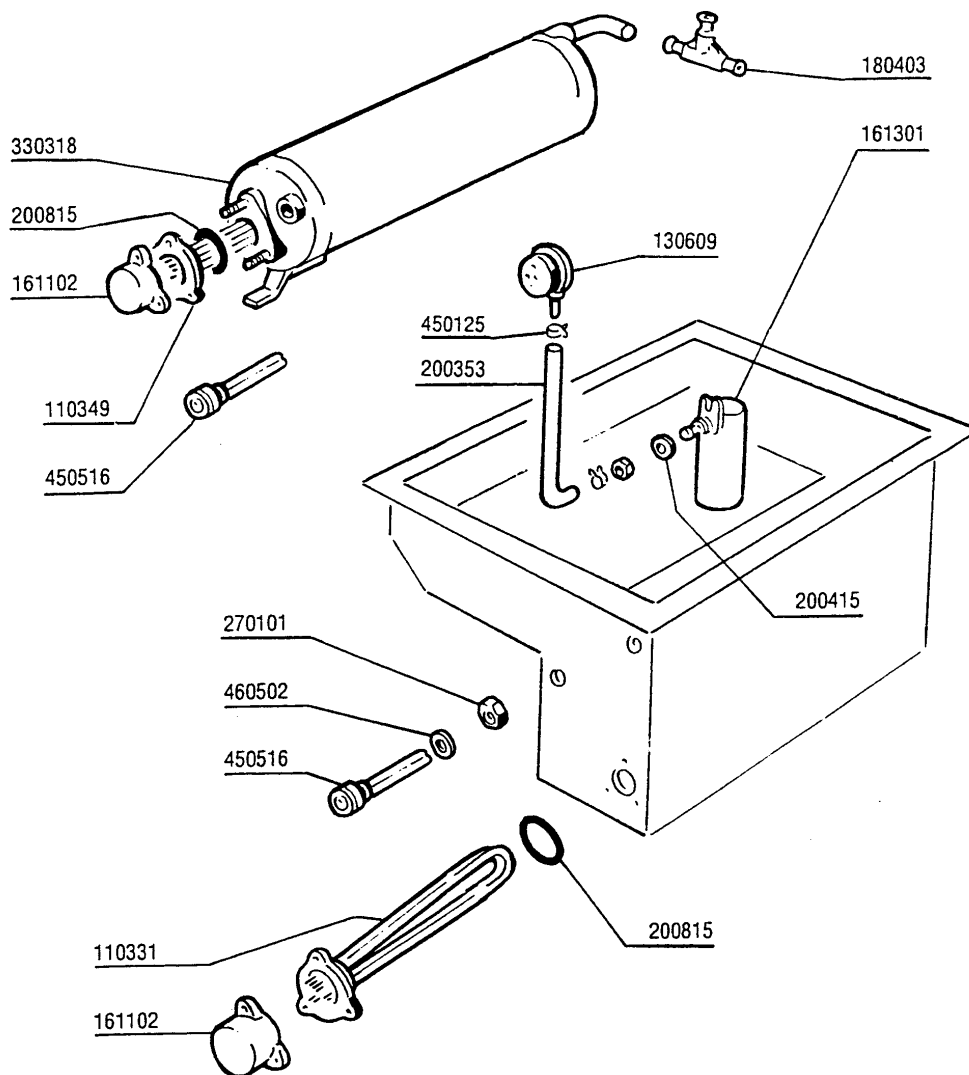
2 - Hood

CODE	DESCRIPTION
120326	MICRO SWITCH FD 102
160833	GASKET 17X8,4 TH 0,75 TEFL
180626	GUIDE FOR DOOR G75-G125
190607	HANDLE BUSH C30-70
190640	BUSH FOR G75 HANDLE
200402	SELF-ADHES.RUBB.SPONGE STRIPS
322031	CONNECTION PLATE FOR G75 DOORS
322208	SUPPORT GUARD G75
322902	FRONT DOOR G75
322903	RIGHT DOOR G75
322904	LEFT DOOR G75
330112	PLATE GUIDE FOR DOOR HANDLE G7
331024	HANDLE G75 S/S
341292	PIN FOR G75 DOOR GUIDE
351236	FRONT PANEL G75
351237	LEFT FRONT PANEL G75
351238	RIGHT FRONT PANEL G75
351311	LEFT SIDE PANEL G75
351312	RIGHT SIDE PANEL G75
391316	SPRING FOR HANDLE C85/140-G75
440703	BLOCK F. MICROSWITCH C34 D23
450905	CAPIL.THERMOMETER D.52 1,5M
620222	COMPLETE ALUMINIUM LEGS



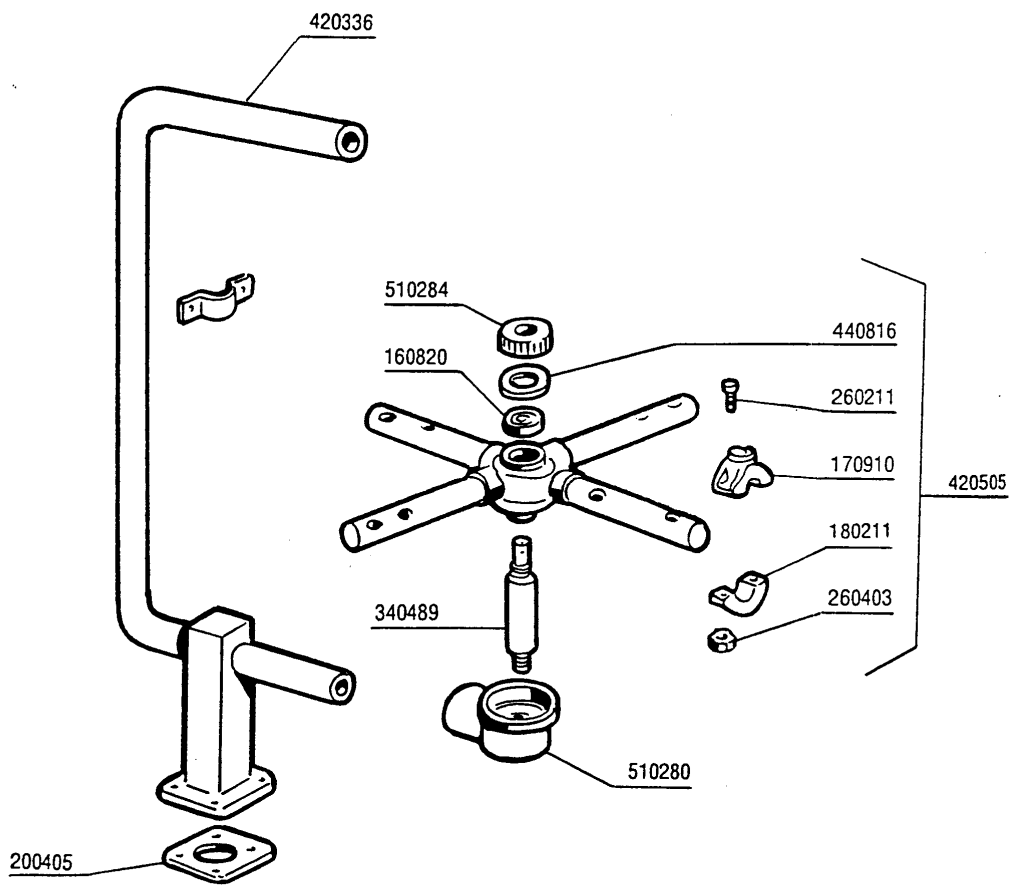
3 - Filters

CODE	DESCRIPTION
160201	ELBOW F.TANK INLET MOPLEN
160532	SLIDING BLOCK FOR G75 RACK
180102	DRAIN PIPE NUT 1"1/2 F45-55
200410	DRAIN OUTL.WASH.1 1/2"65X47X2
200412	GASKET DRAIN 1 1/2" 45X33X3
270104	LOCK NUT 1" 1/2
270403	OUTLET 1 1/2" BRASS
322030	PLATE FOR RACK GUIDE G75
322119	RACK GUIDE FOR G75
322209	CENTRAL SUPPORT FOR FILTER G75
322210	SIDE SUPPORT FOR G75/125 FILTE
330588	SHORT FILTER G75/125
341452	TANK G75
380823	OVERFLOW TUBE G75/125
530217	RACK G75



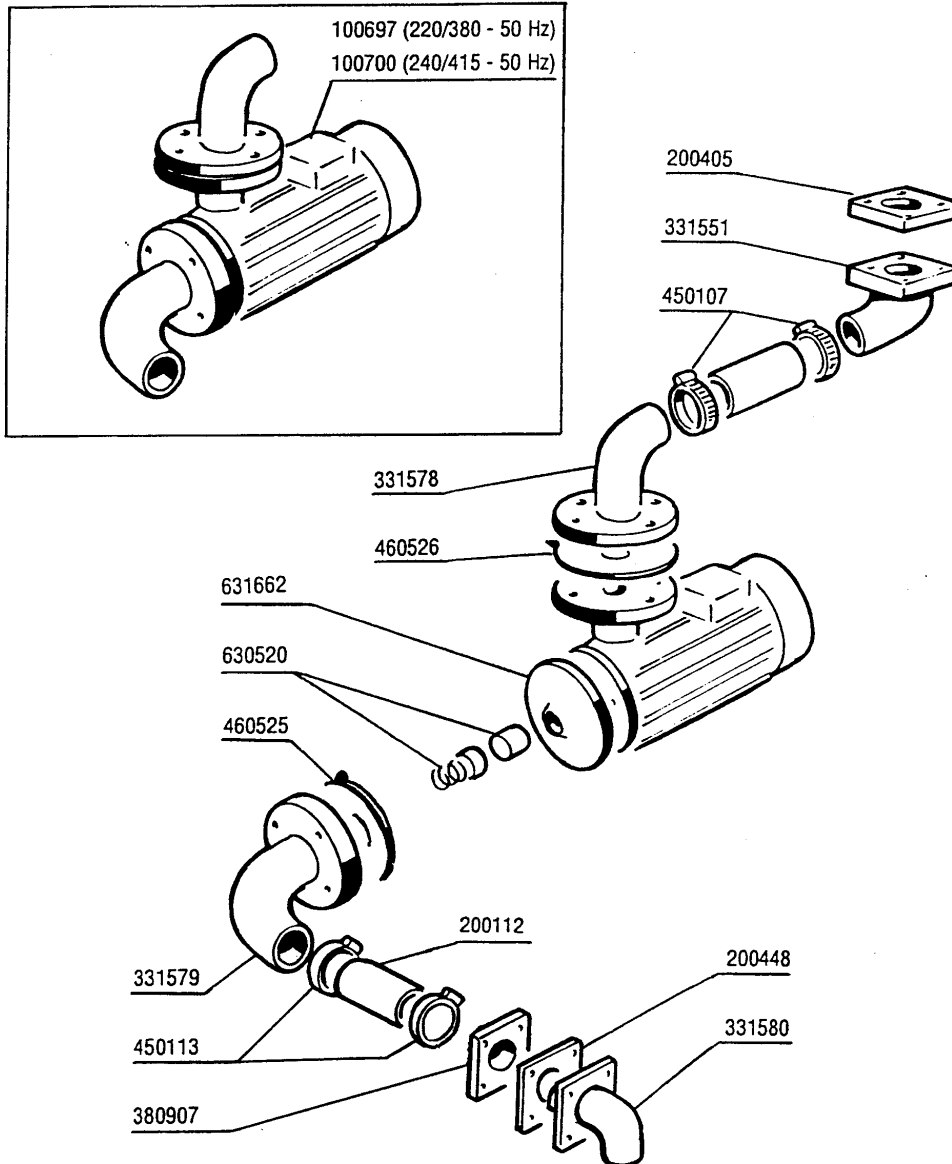
4 - Tank

CODE	DESCRIPTION
110331	HEAT.ELEMENT 4200W 230/400V
110349	HEAT.ELEMENT 6000W 230/400V
130609	1 LEVEL PRESSURE SWITCH 110-70
161102	ELEMENT COVER MOPL.
161301	AIR TRAP F2 C34-F45
180403	TEE-NIPPLE F2-F300-B10-11
200353	PRESS.SWITCH HOSE B23-10-1-2-C
200415	AIR TRAP GASKET -F2 18,5X10X3
200815	O-RING F. HEAT.ELEM.
270101	HEXAGON LOCK NUT 1/2"
330318	BOILER G65-75
450125	ELASTIC CLAMP D. 10,4X9,8
450516	THERMOSTAT SHIELD FOR 2 TERMOS
460502	GASKET 30X21X2



5 - Wash

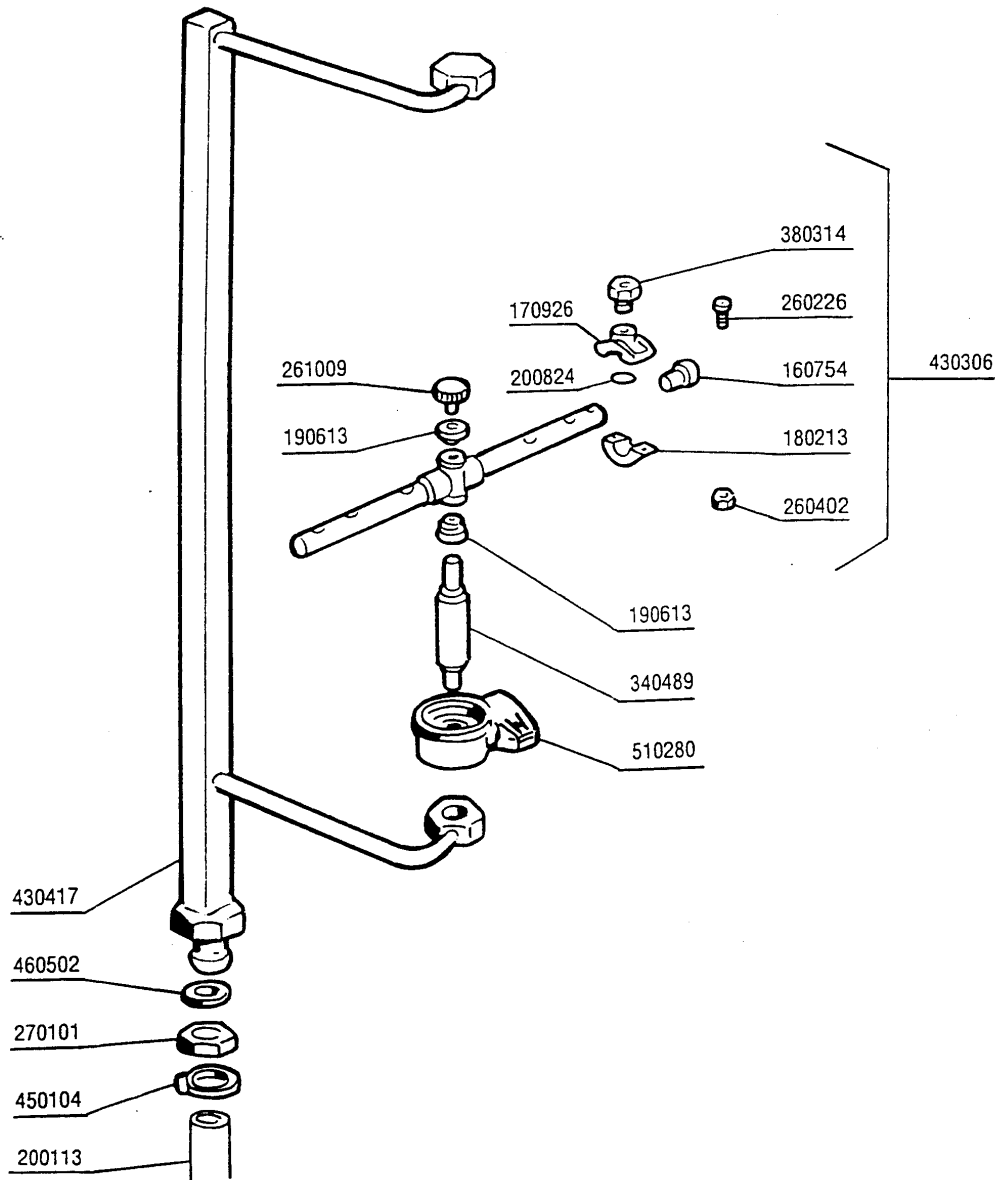
CODE	DESCRIPTION
160820	WASHER 47,5X25X11 G66-131
170910	AXIAL WASH JET
180211	COUNTERFLANGE - WASH JET S-N
200405	GASKET 110X100X63 IN NEOTEN
260211	SCREW TCP 5X16
260403	NUTS D.5
340489	SPINDLE OF ARM ASSY G66-65-115
420336	WASH COLUMN G75
420505	WASH ARM G66-65-115
440816	STAINL.ST.SEAL. RING D.48 UNI3
510280	ARM SUPPORT G-SERIES
510284	ARM LOCK NUT G65-75-115



6 - Wash pump

CODE	DESCRIPTION
100697	PUMP HP 4 230/400/50 SHE 50
100700	PUMP 4HP S/S 240/415-50 HTE
200112	RUBBER TUBE 75X83
200405	GASKET 110X100X63 IN NEOTEN
200448	GASKET 100X100X3 HOLE D.76
331551	ELBOW FOR WASH COLUMN NG-G75
331578	DELIVERY ELBOW FOR G75 WASH PU
331579	INLET ELBOW FOR G75 WASH PUMP
331580	INLET ELBOW FOR G75 WASH TANK
380907	COUNTERFLANGE G65-115
450107	CLAMP FE ZN 38-50 H=12,2
450113	STAINL.STEEL CLAMPS D.83
460525	GASKET INLET ELBOW WASH PUMP
460526	GASKET DELIVERY ELBOW WASH P.
630520	PUMP SEAL HP4-HTE50E
631662	IMPELLER FOR 4HP PUMP HTE50

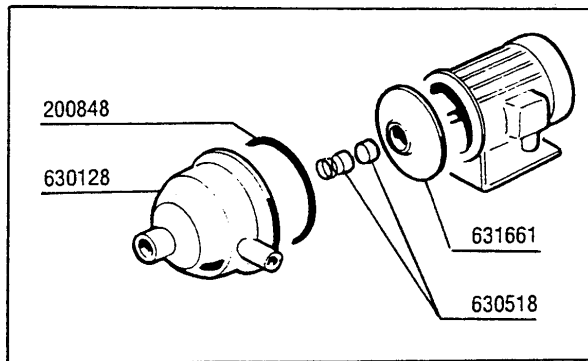
7 - Rinse assembly



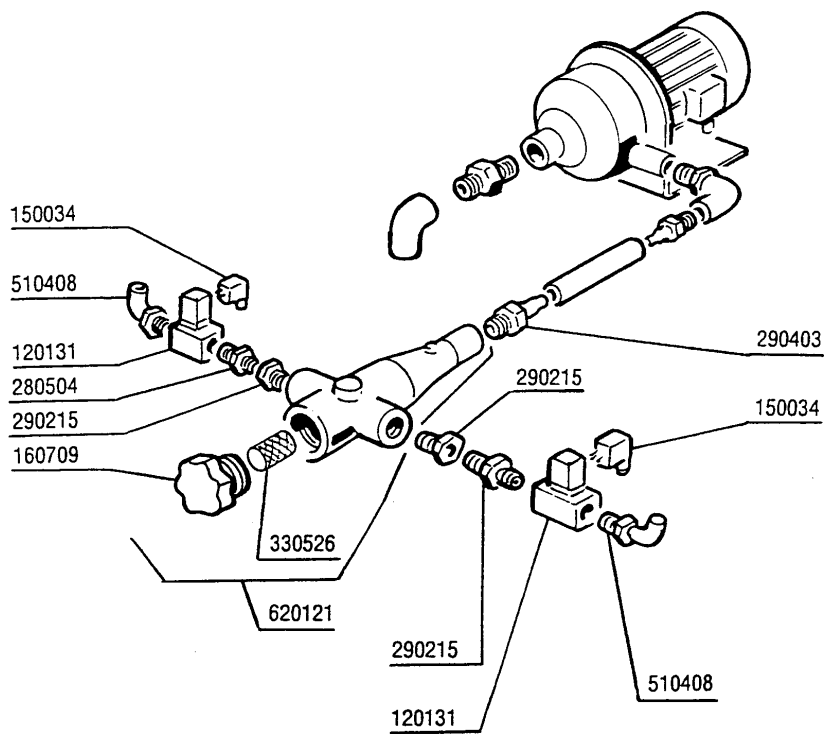
7 - Rinse assembly

CODE	DESCRIPTION
160754	PLUG FOR RINSE ARMS SE NE
170926	RINSE JET HOLDER S-SE-NE
180213	FLANGE F.JET LOCKING F2-C34
190613	RINSE BUSH G66/115
200113	RUBBER HOSE 12 X 22
200824	O-RING 1,78X12,42X15,98
260226	STAINL.ST TCP SCREW 4X12 A2 UN
260402	STAINLESS STEEL NUT D4 UNI 55
261009	RETAIN.SCREW FOR WASH-RINSE AR
270101	HEXAGON LOCK NUT 1/2"
340489	SPINDLE OF ARM ASSY G66-65-115
380314	RINSE JETS 801/HR
430306	RINSE ARM (430319)
430417	RINSE COLUMN G75
450104	CLAMP FE ZN H=12,5 15-24
460502	GASKET 30X21X2
510280	ARM SUPPORT G-SERIES

8 - Rinse pump with boiler

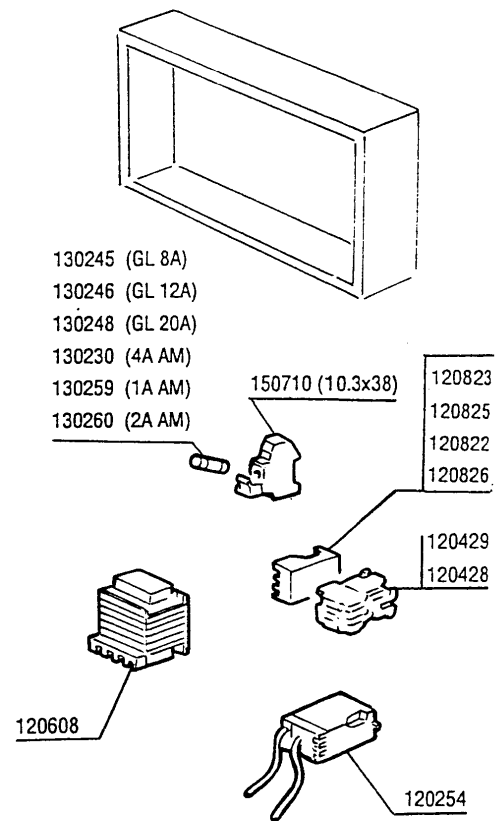
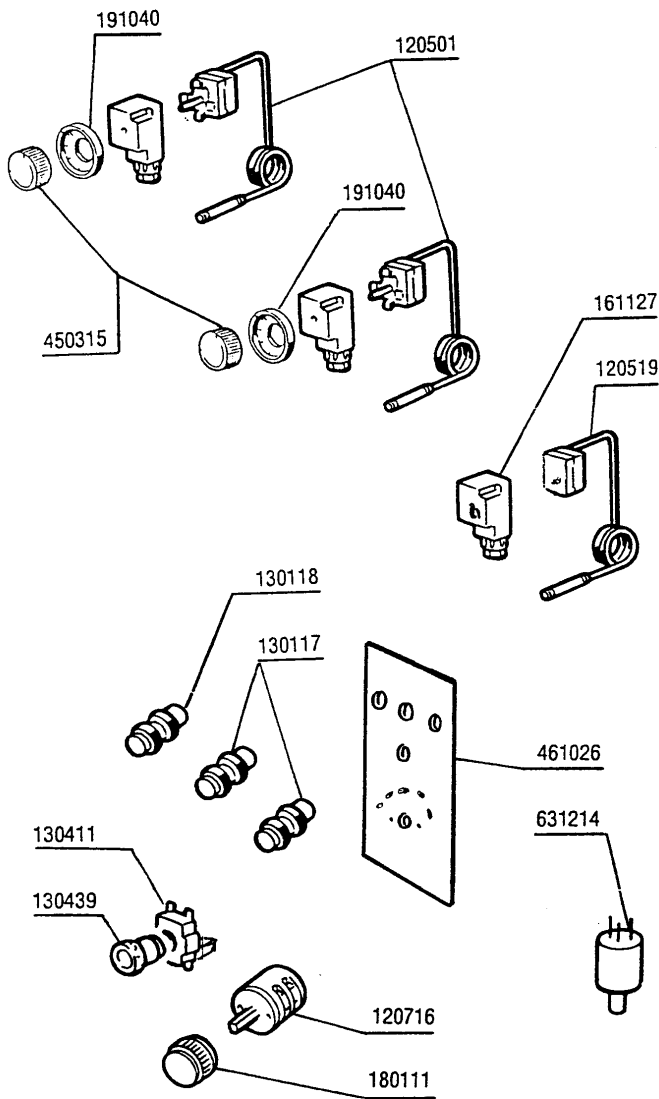


- 100698 (220/380 50 Hz)
- 100698 (240/415 50 Hz)
- 100705 (220/380 60 Hz)
- 100699 (255/440 60 Hz)



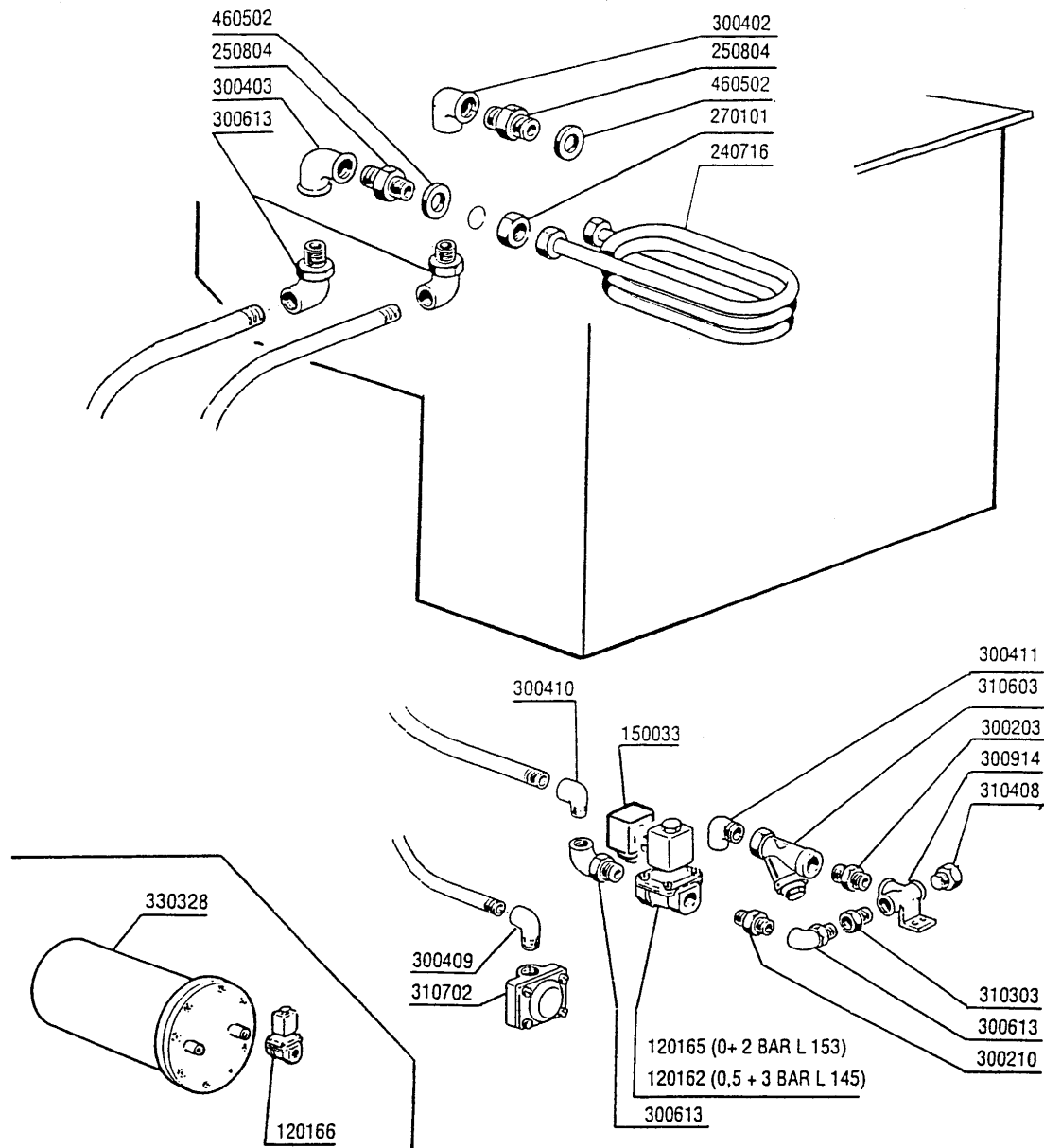
8 - Rinse pump with boiler

CODE	DESCRIPTION
100698	PUMP HP 0,75-CEA120 (100789)
100699	PUMP 1HP 255/440 60HZ CE1206/1
100705	PUMP HP0,75 220-380 60H(100792)
120131	SOLEN. L182Q31-ZB10A 1/2"24V
150034	CONNEC.F.SOLEN.VALVE 122.09.N
160709	KNOB OF MANIFOLD F. SOLEN. VAL
200848	O-RING FOR PUMP 0,75 HP CEA 12
280504	MANIFOLD CONN.HOSE
290215	1/2"BSP M/F UNION BRASS
290403	NIPPLE M.3/4" BRASS
330526	FILTERS 22X28 SOLENOID V.MANIF
510408	CONNECTION 90° 1/2"
620121	TWIN SOLENOID VALVE MANIFOLD
630128	PUMP VOLUTE 0,75HP CEA120/2
630518	PUMP SEAL HP0,75 CE120
631661	IMPELLER PUMP 0,75HP LOW.CE120



9 - Control box

CODE	DESCRIPTION
120254	ELECTRONIC TIMER 2 RELAY CL51
120428	CONTACTOR 9A 24V 50HZ
120429	CONTACTOR 12A 24V 50HZ
120501	THERMOSTAT 30/90°C
120519	SECURITY THERMOSTAT 95-125°C
120608	TRANSFORMER 150VA220-240-380-4
120716	6 POLES SWITCH 16A
120822	OVERLOAD RELAY 1,6-2,5A
120823	OVERLOAD RELAY 2.5/4 A
120825	OVERLOAD RELAY 5,5/8 A
120826	OVERLOAD RELAY 10/13A
130117	GREEN LIGHT 24V S90-G66
130118	RED LIGHT 24V S90 - G66
130230	FUSE 10,3X38 4A AM13004
130245	FUSE 10.3X38 8A GF13308
130246	FUSE 10.3X38 12A GF13312
130248	FUSE 20A-10,3X38 13320 G.F.
130259	FUSE 10,3X38 1A AM 13095
130260	FUSE 10,3X38 2A AM 13001
130411	START CONTACT YELLOW
130439	GREEN PUSH BUTTON RM122
150710	FUSE CARRIER 10,3X38 ART.21401
161127	BOX FOR THERMOSTAT
180111	BLACK KNOB
191040	FRAME F.THERMOSTAT KNOB
450315	KNOB F. THERMOSTAT 90°C
461026	CONTROL PANEL G75
631214	ANTI-NOISE FILTER 4011135007 3



10 - Steam Version

CODE	DESCRIPTION
120162	SOLENOID VALVE L145R1Z734A 3/4
120165	SOLEN.VALVE ST.24V50HZ 3/4"
120166	STEAM SOLEN.VALVE 1" 24V-50
150033	CONNEC.F.SOLEN.VALVE 182.09.N
240716	STEAM COIL G66-S3
250804	NIPPLES FOR STEAM COIL
270101	HEXAGON LOCK NUT 1/2"
300203	NIPPLE 3/4"-1"
300210	NIPPLE 3/4"
300402	ELL FF 1/2"
300403	ELL FF 3/4"
300409	ELL MF 1/2"
300410	ELL 3/4" MF
300411	ELL 1"
300613	UNION ELL MF 3/4"
300914	TEE 1"
310303	NIPPLE 1"-3/4" MF
310408	PLUG 1"
310603	STRAINERS JU 1" MOD.45
310702	STEAM TRAP 1/2" MK 25/3
330328	STEAM BOILER G
460502	GASKET 30X21X2